



## FEATURES

**Quality** - Delivers bottle-quality drinks every time with built-in cold carbonator

**Intellcarb™** - Meets IntelliCarb™ specification

**Merchandising** - Creates high-impact marketing messages delivered with easily modified illuminated merchandiser

**Intelligent** - Automatically separates ice dispensed into cups from ice used to cool cold plate

**Accommodating** - Reduces ice spillage with increased drip tray capacity

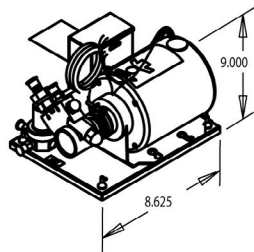
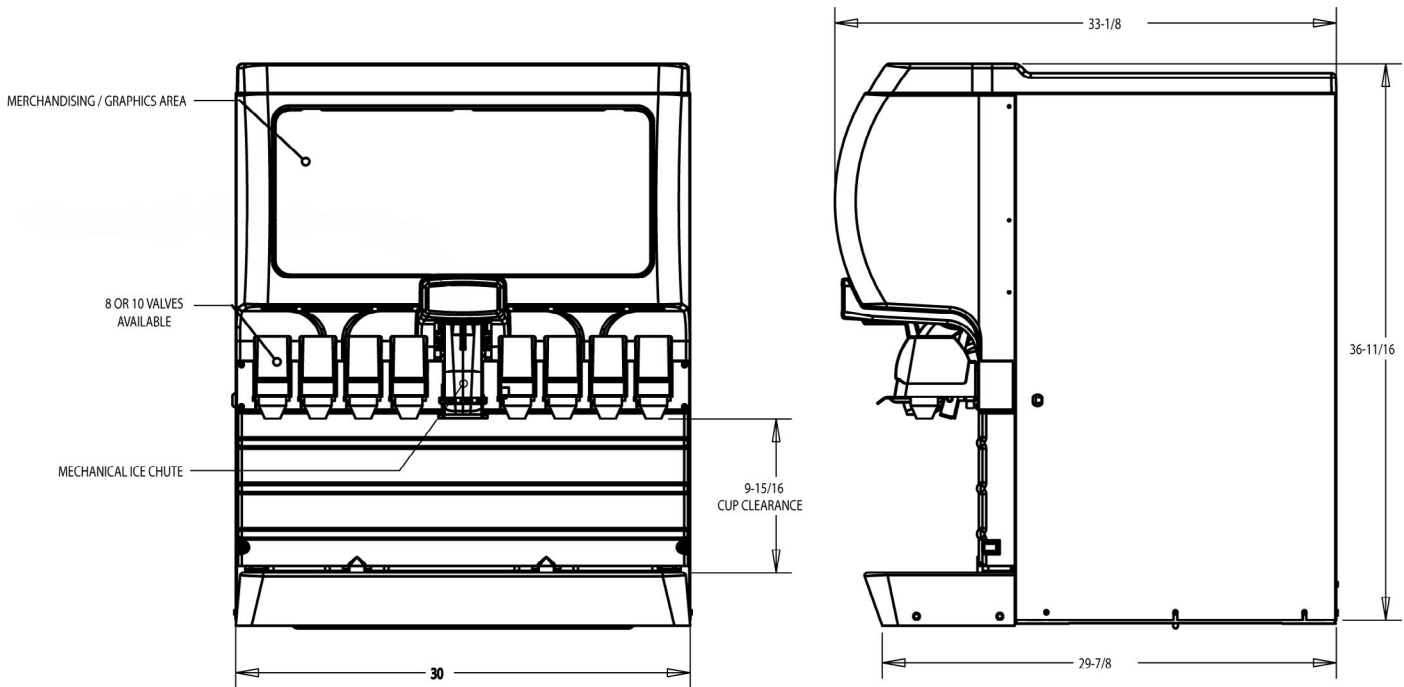
**Flexibility** - Dispenses different ice types thanks to the contour of the hopper and geometry of the beverage dispenser

**Ice system** - Readily accepts top-mounted ice makers with manual ice-fill capability

**TotalFlex™ manifold** - easily changes from carbonated to non-carbonated

**Easy to use** - Requires only one electrical outlet  
- Easy front access to carbonator tank  
- Simple motor removal





NOTE: PUMP & MOTOR ASSEMBLY  
MUST BE POSITIONED WITHIN  
8 FEET OF THE DISPENSER

PART NUMBER	DESCRIPTION
621057430	IDC215 with 8 UFB-1™ 2-4 oz Sanitary Lever valves, 115 V / 60 Hz
621057408	IDC215 with 8 UFB-1™ 2-4 oz Push Button valves, 115 V / 60 Hz
621064257	IDC215 with 10 UFB-1™ 2-4 oz Sanitary Lever valves, 115 V / 60 Hz
621065270	IDC215 with 10 UFB-1™ 2-4 oz Push Button valves, 115 V / 60 Hz

## TECHNICAL SPECIFICATIONS

TYPE OF VALVES . . . . . UFB-1™ 2-4 oz / sec post-mix

NUMBER OF VALVES . . . . . 8 or 10

BEVERAGE MANIFOLDING . . . . . TotalFlex™

CUP CLEARANCE . . . . . 10"

GRAPHIC DIMENSIONS . . . . . (Template Available)

ICE STORAGE CAPACITY . . . . . 215 lb (97.5 kg)




STANDARD FEATURES . . . . . Timed ice agitation, key switch and 4" legs

CONNECTIONS . . . . . Water: 0.375" (9.5 mm)  
Syrup: 0.375" (9.5 mm)

DRAIN SIZE . . . . . 0.75" (19.1 mm) pvc (npt) pipe or flexible tubing

ELECTRICAL REQUIREMENTS . . . 115 V / 60 Hz / 9.3 Amps or  
230 V / 50/60 Hz / 4.7 Amps

SHIPPING WEIGHT . . . . . 350 lb (150 kg)

AGENCY LISTINGS . . . . .     
City of Los Angeles

Pepsi is a registered trademark of Pepsi Co, Inc.

